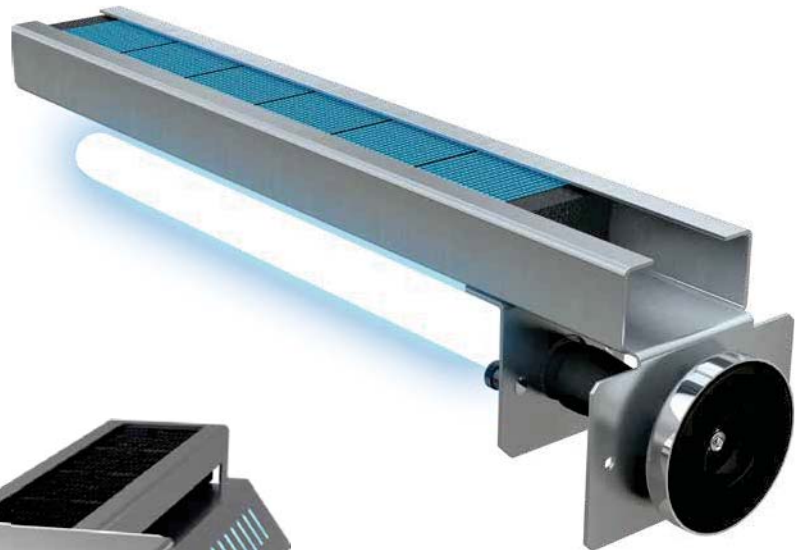


# DETOX THE AIR



**APCO**<sup>®</sup>  
Family of Air Treatment Systems

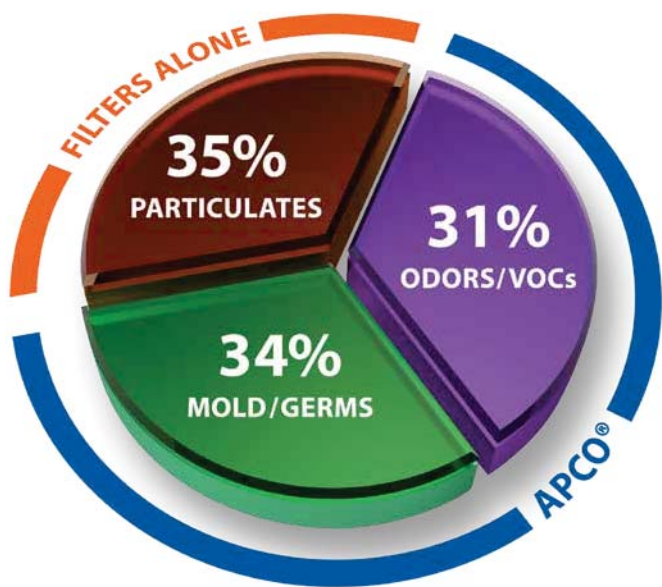
# APCO®

## Indoor Air Quality Innovation

### Detox the Air with APCO®

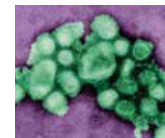
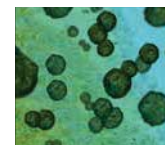
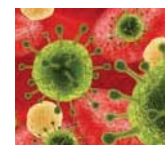
According to the EPA, indoor air pollution is often five times worse than outside air. The occupants of our homes and offices may face significant health risks from airborne contaminants such as mold, bacteria, and odor-causing, potentially toxic, VOCs.

APCO® products feature a unique combination of UV-C light and activated carbon which achieves unmatched microbial and odor reduction (without producing any harmful ozone). This technology is particularly effective at reducing odor-causing volatile organic compounds (VOCs) which include toxic chemical vapors like formaldehyde and toluene.



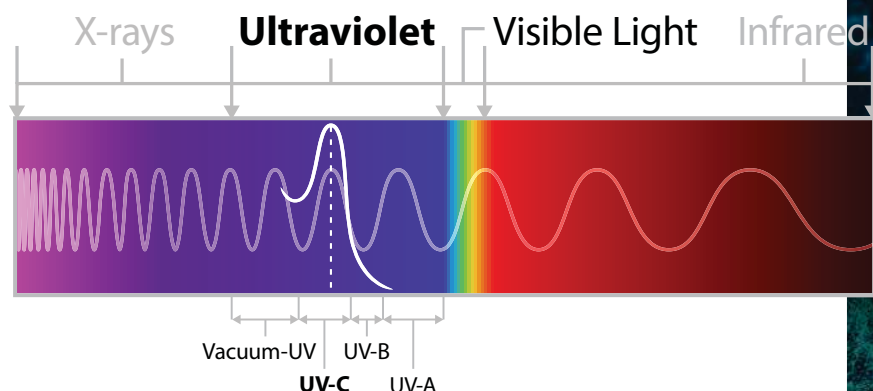
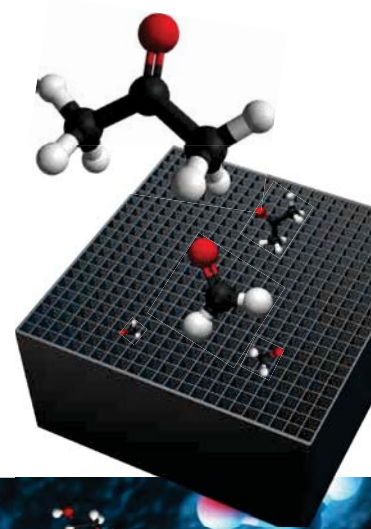
### The Whole Pie

Airborne contaminants can be divided roughly into thirds. Conventional filtration is effective against particulates, like dust, but has no effect on the other two thirds. APCO® is proven to safely reduce both VOCs and biological contaminants inside the air system and throughout the home.



# How APCO® Works

APCO® systems are installed in the central air system where they continuously remove airborne contaminants as they pass by. APCO® technology is based on a process called photocatalytic oxidation (similar to the catalytic converter on cars). Germicidal UV-C light reacts with titanium dioxide infused carbon cells; this neutralizes VOC contaminants, leaving only harmless water vapor and CO<sub>2</sub>. This process leaves the carbon cells clean so they never fill up or need to be replaced. The result is clean, odor-free air throughout the home.

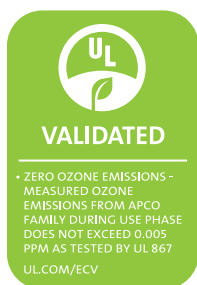


UV-C light, filtered out by the Earth's atmosphere, sterilizes microbes which have no defense against it.

APCO® cells capture and neutralize odors and toxic VOCs.

## Proven, Validated, Certified, Awarded

APCO® has been proven safe and effective in numerous laboratory tests. It has been validated as ozone-free by UL Labs, certified by CARB, ETL & CE, and has won the prestigious AHR Innovation Award for indoor air quality.





# APCO®

## Family of Products

### APCO®

The original duct-mount APCO® is suitable for most furnaces and air handlers (3-7 tons). It features six activated carbon PCO cells and is available with either a low-voltage (18-32 VAC) or high-voltage (120-277 VAC) internal power supply. APCO® Dual systems include a second remote UV lamp for additional coil disinfection.



### APCO® RT

APCO® RT is also duct-mounted and is designed for use in smaller HVAC systems (1-5 tons), particularly where space is limited. It features four activated carbon PCO cells and is available with either a low-voltage (18-32 VAC) or high-voltage (120-277 VAC) external power supply. APCO® RT Dual systems include a second remote UV lamp for additional coil disinfection.



APCO® furnace installation

# APCO® Mag

APCO® Mag is designed with a magnet mount for easy installation inside the air system. APCO® Mag is available in two lengths: APCO® Mag 15 features six activated carbon PCO cells, APCO® Mag 11 features four activated carbon PCO cells, both are available with either low-voltage (18-32 VAC) or high-voltage (120-277 VAC) external power supplies.

APCO® Mag 11



Dual APCO® Mag 15



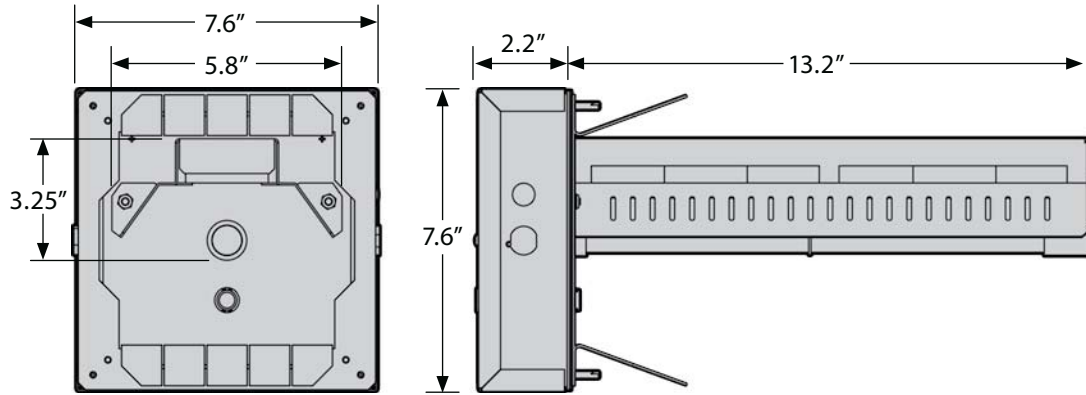
APCO® Mag in package unit

APCO® Mag in  
"N" coil



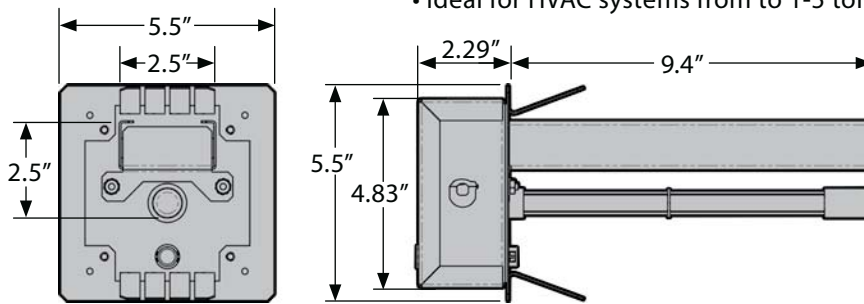
## APCO

- High or low-voltage internal power supply
- Slotted flanges enhance air flow
- Ideal for HVAC systems from to 3-7 tons



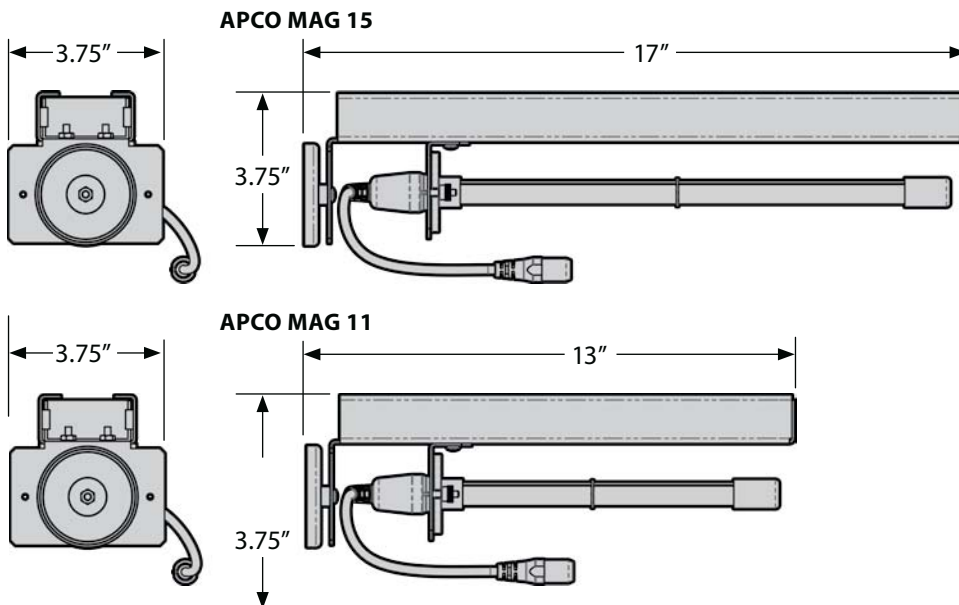
## APCO RT

- High or low-voltage remote power supply
- Requires only 10" clearance within the duct
- Ideal for HVAC systems from to 1-5 tons



## APCO MAG

- High or low-voltage remote power supply
- Removable magnet for internal mounting
- Ideal for package units



## APCO Specifications

|                            |  |
|----------------------------|--|
| UV Lamp                    | 254 nm germicidal UV-C, quartz hot filament                              |
| Dimensions                 | Cell & Lamp: 5.8"W x 3.25"H x 13.2"D<br>Enclosure: 7.6"L x 7.6"W x 2.2"D |
| ER models<br>Electrical    | 18-32 VAC, 60 Hz,<br>0.68 Amps, 16 VA                                    |
| SI DI models<br>Electrical | 120-277 VAC, 50/60 Hz,<br>0.51 Amps/120V Thru 0.22 Amps/277V             |
| Pressure Drop              | <0.01" w.c. @ 400 FPM  |
| Warranty                   | Lifetime for all parts except lamp                                       |

### Part Numbers

|  |                   |                      |
|--|-------------------|----------------------|
| 18-32 VAC                              | Replacement Lamp  |                      |
| TUV-APCO-ER                            | 1 Year Lamp       | TUVL-115             |
| TUV-APCO-ER2                           | 2 Year Lamp       | TUVL-215             |
| 18-32 VAC with 2nd UV Lamp for Coils   | Replacement Lamps |                      |
| TUV-APCO-DER                           | 1 Year Lamp       | TUVL-115 & TUVL-115P |
| TUV-APCO-DER2                          | 2 Year Lamp       | TUVL-215 & TUVL-215P |
| 120-277 VAC                            | Replacement Lamp  |                      |
| TUV-APCO-SI*                           | 1 Year Lamp       | TUVL-115             |
| TUV-APCO-SI2*                          | 2 Year Lamp       | TUVL-215             |
| 120-277 VAC with 2nd UV Lamp for Coils | Replacement Lamps |                      |
| TUV-APCO-DI*                           | 1 Year Lamps      | TUVL-115 & TUVL-115P |
| TUV-APCO-DI2*                          | 2 Year Lamps      | TUVL-215 & TUVL-215P |

## APCO RT Specifications

|                            |   |
|----------------------------|---|
| UV Lamp                    | 254 nm germicidal UV-C, quartz hot filament                               |
| Dimensions                 | Cell & Lamp: 2.5"W x 2.5"H x 9.4"D<br>Enclosure: 4.83"L x 4.83"W x 2.29"D |
| ER models<br>Electrical    | 18-32 VAC, 60 Hz,<br>0.68 Amps, 16 VA                                     |
| ST DT models<br>Electrical | 120-277 VAC, 50/60 Hz,<br>0.51 Amps/120V Thru 0.22 Amps/277V              |
| Pressure Drop              | <0.01" w.c. @ 400 FPM   |
| Warranty                   | Lifetime for all parts except lamp  |

### Part Numbers

|  |                   |                    |
|--|-------------------|--------------------|
| 18-32 VAC                              | Replacement Lamp  |                    |
| TUV-APCO-RT-ER                         | 1 Year Lamp       | TUVL-111           |
| TUV-APCO-RT-ER2                        | 2 Year Lamp       | TUVL-211           |
| 120-277 VAC                            | Replacement Lamp  |                    |
| TUV-APCO-RT-ST                         | 1 Year Lamp       | TUVL-111           |
| TUV-APCO-RT-ST2                        | 2 Year Lamp       | TUVL-211           |
| 120-277 VAC with 2nd UV Lamp for Coils | Replacement Lamps |                    |
| TUV-APCO-RT-DT                         | 1 Year Lamps      | TUVL-111 & TUVL115 |
| TUV-APCO-RT-DT2                        | 2 Year Lamps      | TUVL-211 & TUVL215 |

## APCO Mag Specifications

|                              |  |
|------------------------------|--|
| UV Lamp                      | 1 Year (part #s TUVL-111P, TUVL115P)<br>254 nm UVC Quartz Hot Filament                                   |
|                              | 2 Year (part #s TUVL-211P, 215P)<br>254 nm UVC Shielded Quartz Hot Filament                              |
| PCO Cell                     | Advanced monolithic absorptive PCO cell with proprietary absorption media and proven TiO2 photo-catalyst |
| Pressure Drop                | <0.01" w.c. @ 400 FPM  |
| Dimensions                   | APCO MAG11 5.5"W x 4"H x 13"D<br>APCO MAG15 5.5"W x 4"H x 17"D   |
| Pressure Drop                | <0.01" w.c. @ 400 FPM  |
| Electrical<br>ER Series      | 18-32 VAC, 60 Hz, 0.68 Amps, 16 VA<br>Low-voltage power-supply   |
| Electrical<br>ST / DT Series | 120-277 VAC, 50/60 Hz,<br>0.51 Amps/120V Thru 0.22 Amps/277V<br>High-voltage power-supply                |
| Warranty                     | Lifetime for all parts except lamp   |

### APCO Mag 11 Part Numbers

|                    |                  |                       |
|--------------------|------------------|-----------------------|
| 18-32 VAC          | Replacement Lamp |                       |
| TUV-APCO-MAG11-ER  | 1 Year Lamp      | TUVL-111P             |
| TUV-APCO-MAG11-ER2 | 2 Year Lamp      | TUVL-211P             |
| 120-277 VAC        | Replacement Lamp |                       |
| TUV-APCO-MAG11-ST  | 1 Year Lamp      | TUVL-111P             |
| TUV-APCO-MAG11-DT  | 1 Year Lamp Dual | TUVL-111P & TUVL-115P |
| TUV-APCO-MAG11-ST2 | 2 Year Lamp      | TUVL-211P             |
| TUV-APCO-MAG11-DT2 | 2 Year Lamp Dual | TUVL-211P & TUVL-215P |

### APCO Mag 15 Part Numbers

|                    |                  |                 |
|--------------------|------------------|-----------------|
| 18-32 VAC          | Replacement Lamp |                 |
| TUV-APCO-MAG15-ER  | 1 Year Lamp      | TUVL-111P       |
| TUV-APCO-MAG15-ER2 | 2 Year Lamp      | TUVL-211P       |
| 120-277 VAC        | Replacement Lamp |                 |
| TUV-APCO-MAG15-ST  | 1 Year Lamp      | TUVL-115P       |
| TUV-APCO-MAG15-DT  | 1 Year Lamp Dual | TUVL-115P (x 2) |
| TUV-APCO-MAG15-ST2 | 2 Year Lamp      | TUVL-215P       |
| TUV-APCO-MAG15-DT2 | 2 Year Lamp Dual | TUVL-215P (x 2) |







## More Residential IAQ Products from Fresh-Aire UV



### Blue-Tube UV®

The original, patented, low-voltage UV light kit kills mold and germs on the coil and in the air. Saves energy and reduces maintenance costs by keeping your central air system clean.



### Mini UV™

The first germicidal UV light designed specifically for Mini Splits and other limited-space applications. 9" UV-C lamps fit in the tightest spaces.



### AHU Series 1

Mounts in the air handler for maximum UV effect. Heavy-duty moisture resistant components. Many options available.



### Fresh-Aire UV® Purity

The ultimate whole-house air purification system. Advanced filtration with germ-killing UV-C light and PCO odor control.